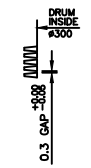
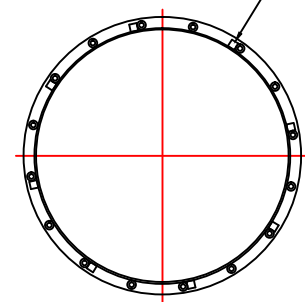


VERTICAL SUPPORT RODS  
12\*12 SQ.M.S. QTY 7 TO 8 NOS. EQUIP.  
(ALT.TO EACH CROSS ROD)



TYPICAL SECTION FOR REF.  
SPECIFICATIONS :  
1. FLOW : INSIDE TO OUTSIDE  
2. MATL FOR SCREEN : SS304  
3. SUPPORT GRIDS : OUTSIDE  
4. FLANGE MATERIAL : M.S.

