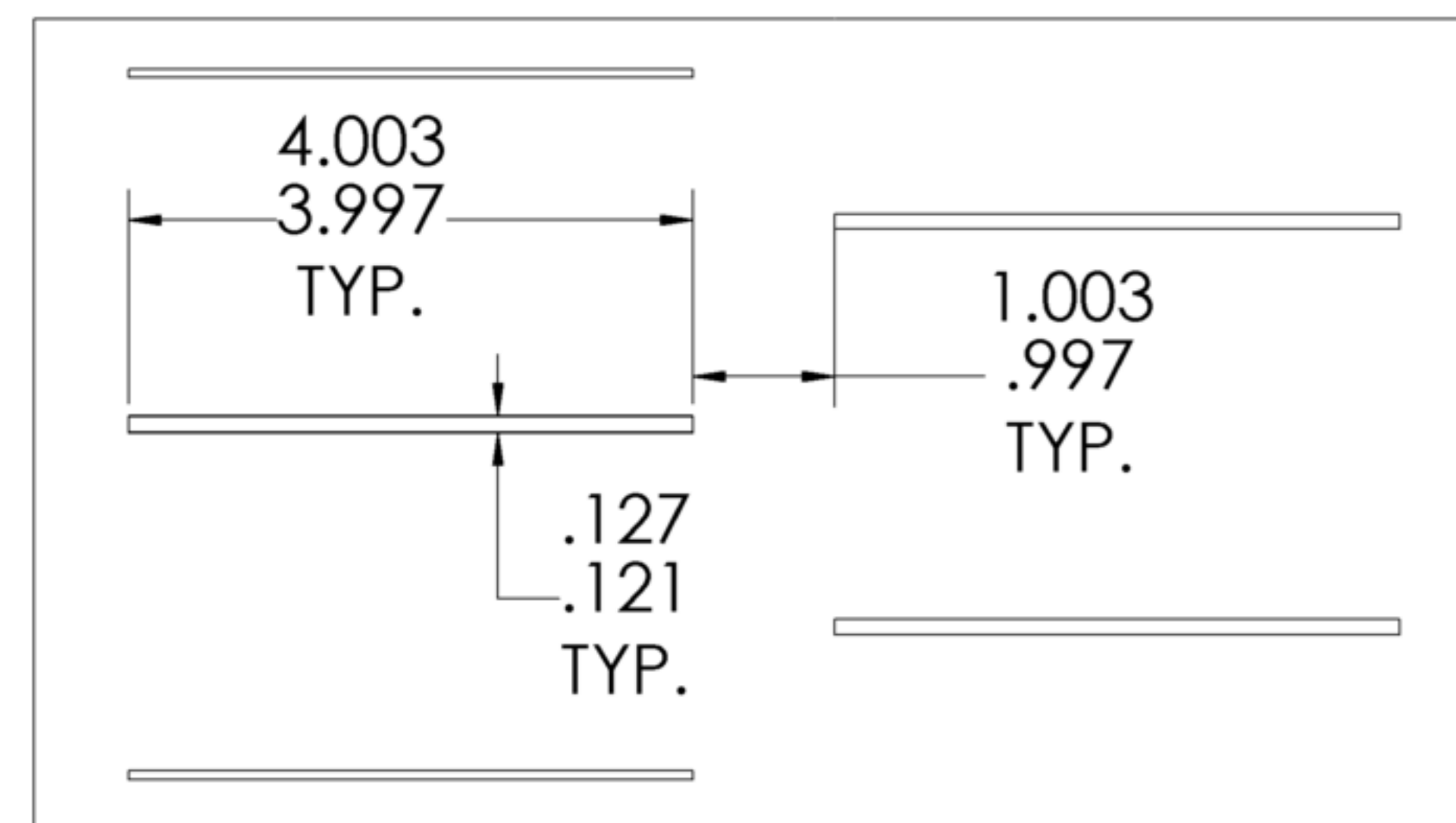
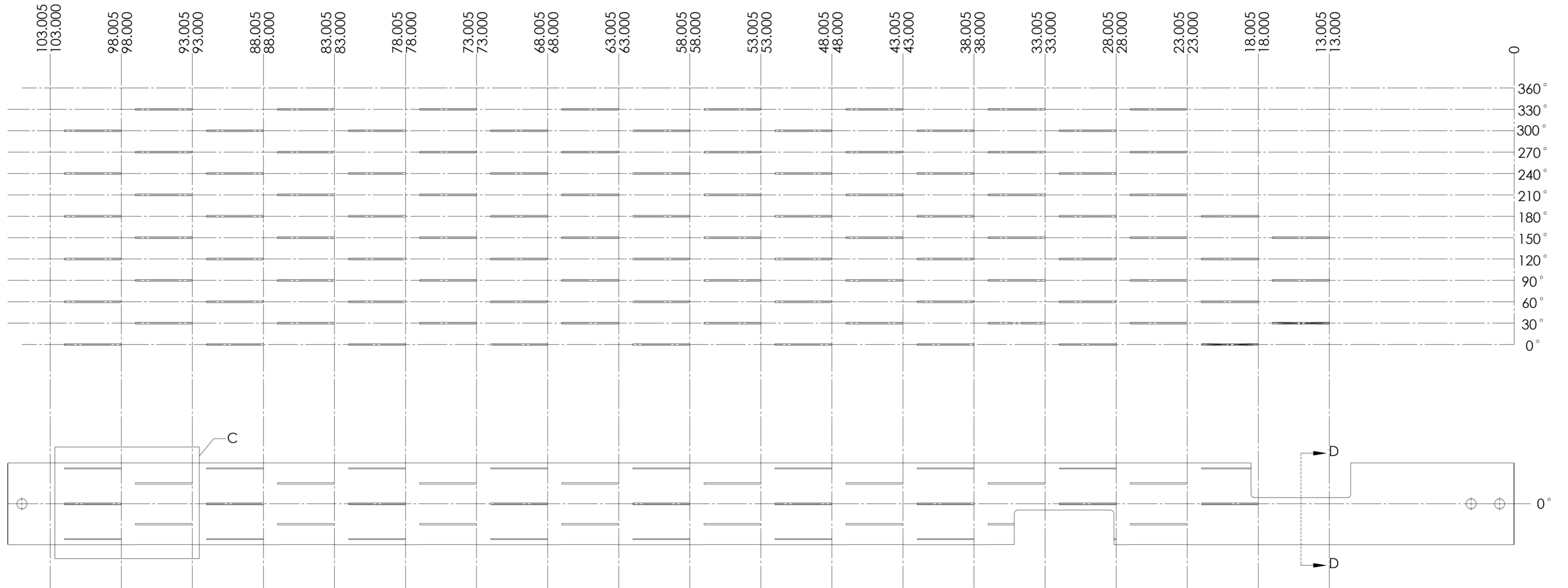
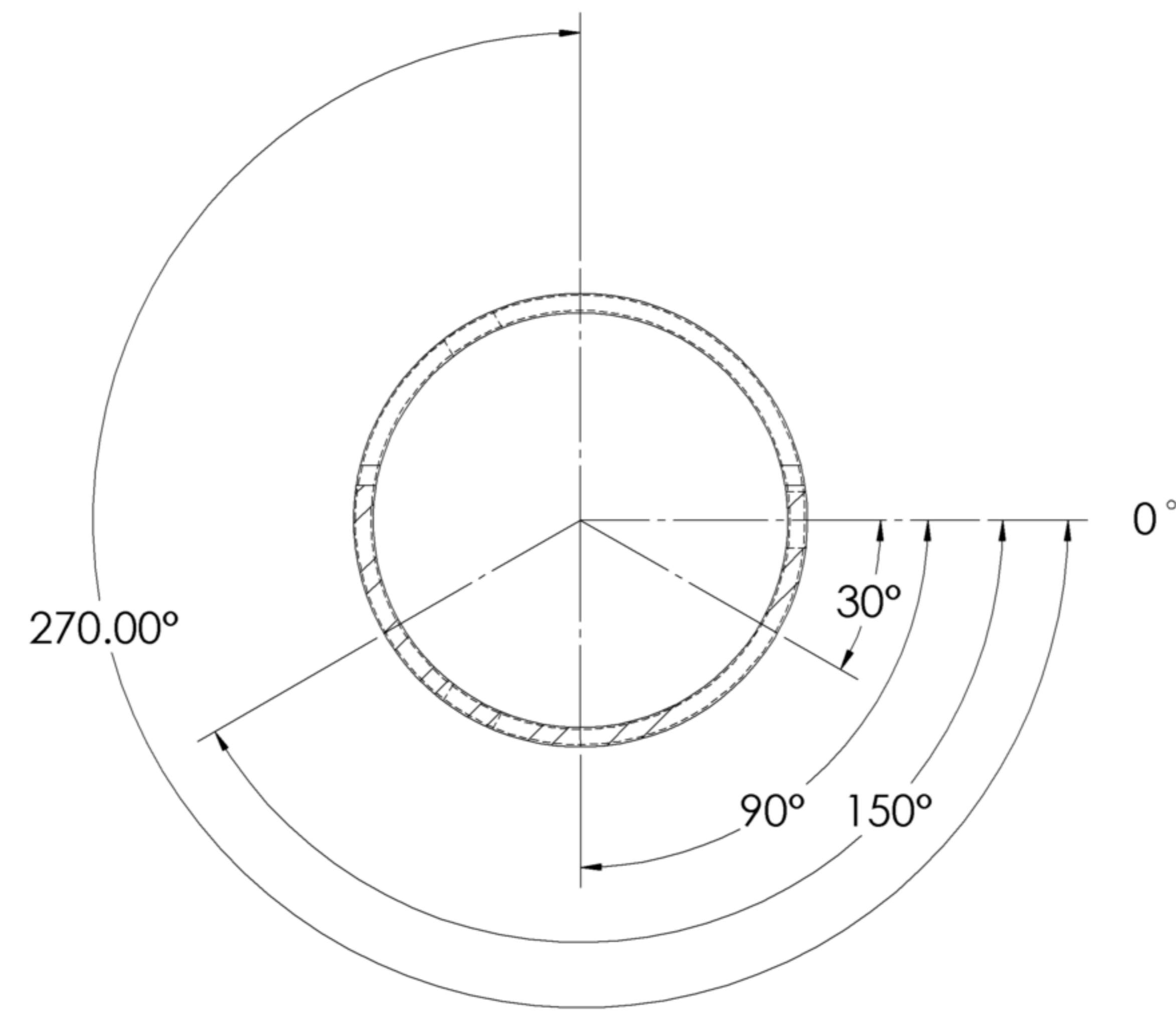


SLOT DEVELOPMENT



DETAIL C
SCALE 2 : 3.5



SECTION D-D
SCALE 1 : 2
CLARIFICATION OF ORIENTATION